

CLIMB2

DUAL MONITOR ARM SIT-TO-STAND WORKSTATION

- Clamps to the back of the work surface
- Can mount to work surfaces 30" deep or less
- 6" of clearance is needed underneath the work surface for the desk clamp
- Pneumatic Height Adjustment
- Weight Capacity: 16 lbs
- Height Adjustment Range: 17"
- Keyboard Platform: 26.5" x 10.5"
- Keyboard Platform includes palm rest
- Palm rest can be positioned on the left or right side of the keyboard platform
- Monitors can be rotated for viewing in landscape or portrait orientations
- Monitors are fixed at a 8° angle toward each other
- Monitors can move horizontally 7.5"
- Monitors can be adjusted 12" vertically along the mount
- Arm can be adjusted 19.5" up and down the pole
- Max Monitor Width: 21.8" (bezel measured left to right)

MODEL #

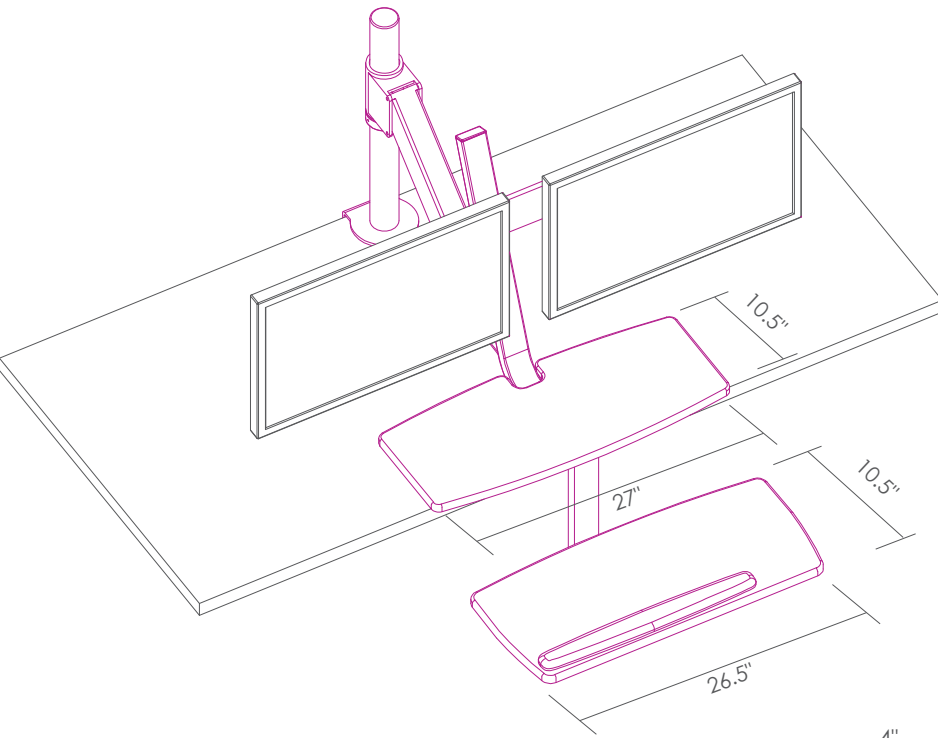
● CLIMB2-SLV



Palm rest can be positioned on left or right side of keyboard platform



CLIMB2
TOP VIEW



CLIMB2
SIDE VIEW

