

# LIFT

## SIT-TO-STAND WORKSTATION

- Clamps to the back of a straight edge work surface
- Can mount to work surfaces 30" deep or less
- 4" of clearance is needed underneath work surface for clamp
- Pneumatic height adjustment
- Weight Capacity: 20 lbs
- Height Adjustment Range: 16"
- Top Platform: 27" X 15.75"
- Top platform includes grommet hole for cable management
- Keyboard Platform: 27" X 10.5"
- Keyboard platform includes palm rest
- Palm rest can be positioned on left or right side of keyboard platform

MODEL #

● LIFT-SLV

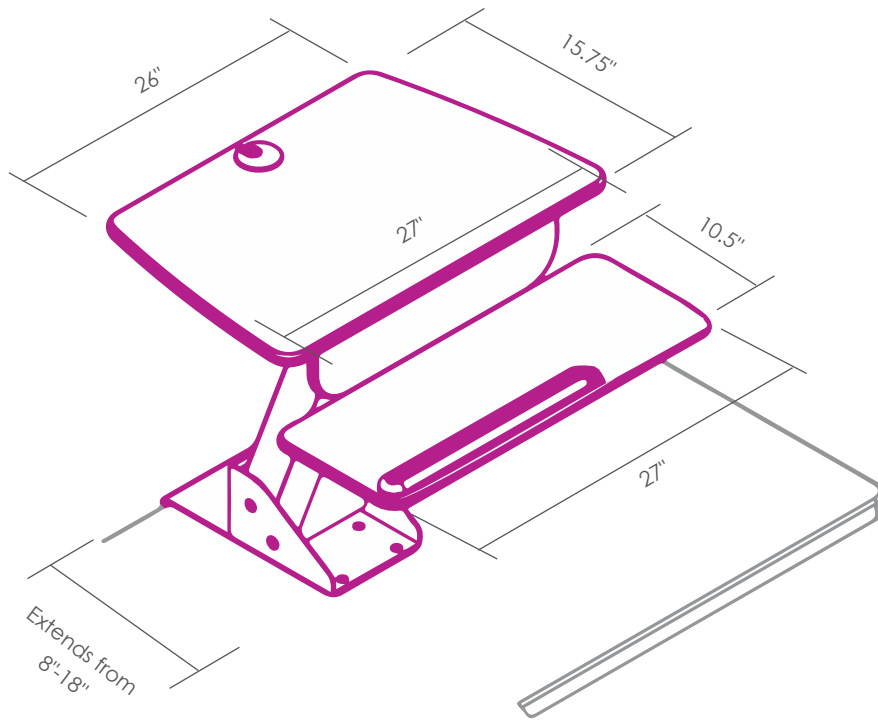


LIFT

SIT-TO-STAND



**LIFT**  
TOP VIEW



**LIFT**  
SIDE VIEW

