



LIFT-WB

SIT-TO-STAND WORKSTATION

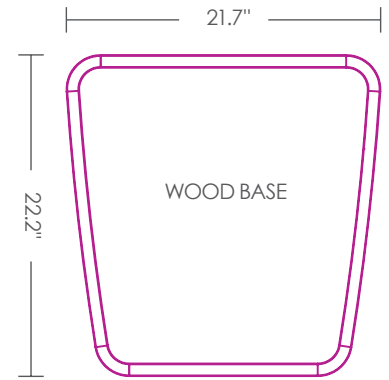
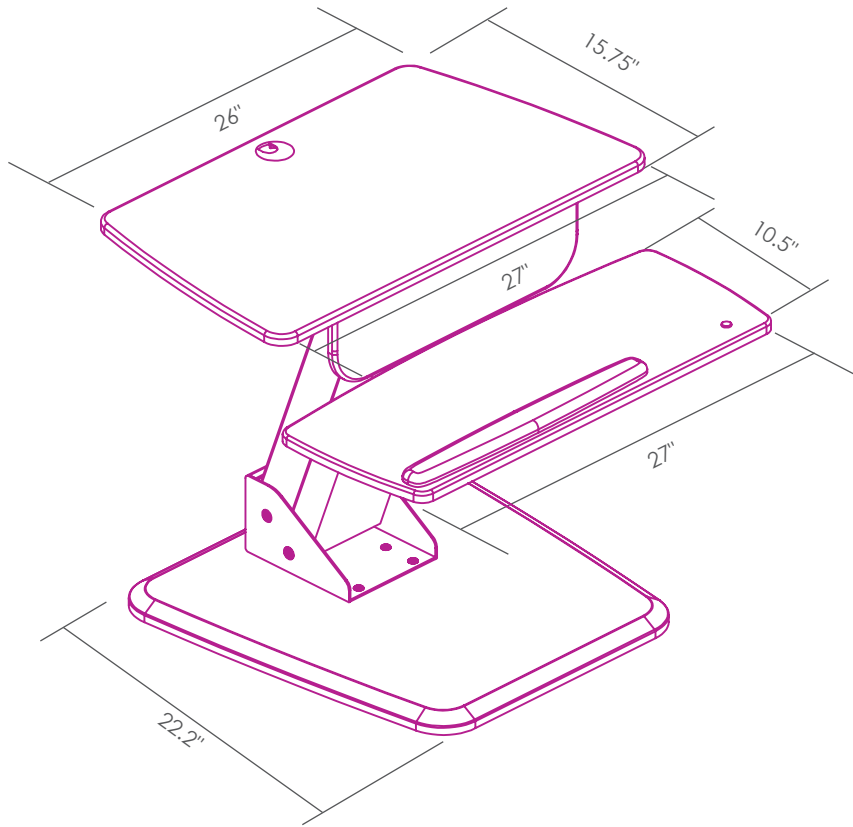
- For use with work surfaces that are a minimum of 30" deep only.
- Wooden base allows for flexible positioning and placement on a work surface
- Pneumatic height adjustment
- Weight Capacity: 20 lbs
- Height Adjustment Range: 16"
- Top Platform: 27" X 15.75"
- Top platform includes grommet hole for cable management
- Keyboard Platform: 27" X 10.5"
- Keyboard platform includes palm rest
- Palm rest can be positioned on left or right side of keyboard platform

MODEL #

● LIFT-WB-SLV



LIFT-WB
TOP VIEW



LIFT
SIDE VIEW

